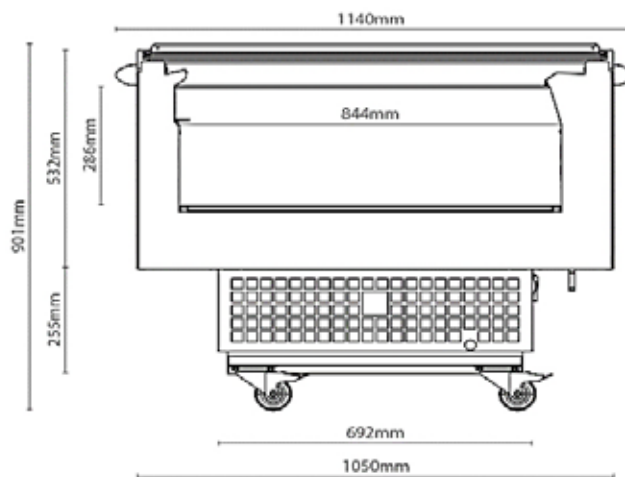
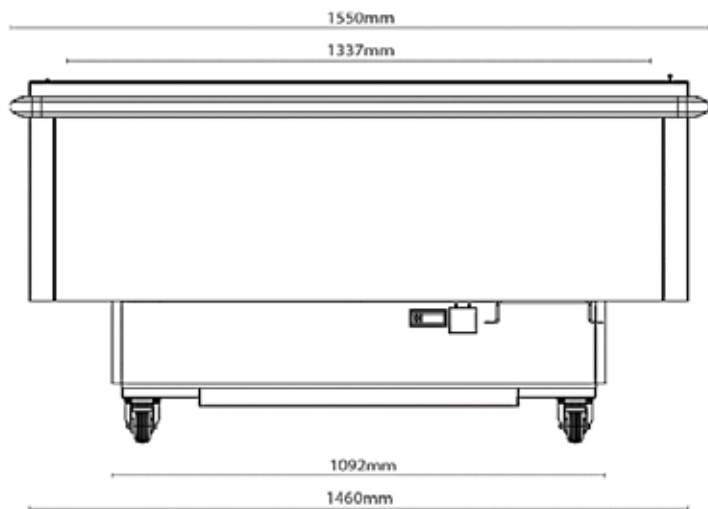


Display Freezers - H-Hyce 150 2T



H-Hyce 150 2T*



Technical parameters:

Model	Dimension (ext.) H x W x D [mm]	Display surface [m ²]	Weight [kg]
H-Hyce 150 2T	901 x 1460 x 1050	1,12	172

* - Picture above presents unit with either some or all available extras. Please note that the look of basic version of cabinet, or one of your choice, may vary from presented.

Display Freezers - H-Hyce 150 2T



H-Hyce 150 2T*

Description:

- dual temperature unit
- freezer temperature range -18 / -21°C
- chiller temperature range 0 /+4 °C
- preferred ambient temperature +16 / +25°C
- power supply 230V / 50Hz
- internal condensing unit
- ecological polyurethane insulation
- body made of PVC coated steel - white colour
- interior LED lighting - white
- price strips
- fan assisted cooling
- electronic control with digital temperature display
- automatic defrost
- automatic condensate evaporation
- castors with brakes
- 1 year full warranty service and after warranty service provided

Available options:

- bottom grey bumper
- body colour - black

* - Picture above presents unit with either some or all available extras. Please note that the look of basic version of cabinet, or one of your choice, may vary from presented.